

ECOSENSE®
PRODUCT GUIDE

FREEDOM TO CREATE

STATUS QUO IS A NO GO. At ECOSENSE, we are never satisfied with ordinary lighting. Other lighting may do a good job, but sometimes good isn't enough. We scrutinize every detail to achieve the most beautiful light—a dedication to develop advanced, high performance, energy-saving luminaires that meet exacting demands and creativity.

04	RISE™
20	TROV
31	SLIM COVE DIM™
33	CONTROL MODULE
34	ERIA
36	PRODUCT SPECIFICATIONS

PRODUCTS

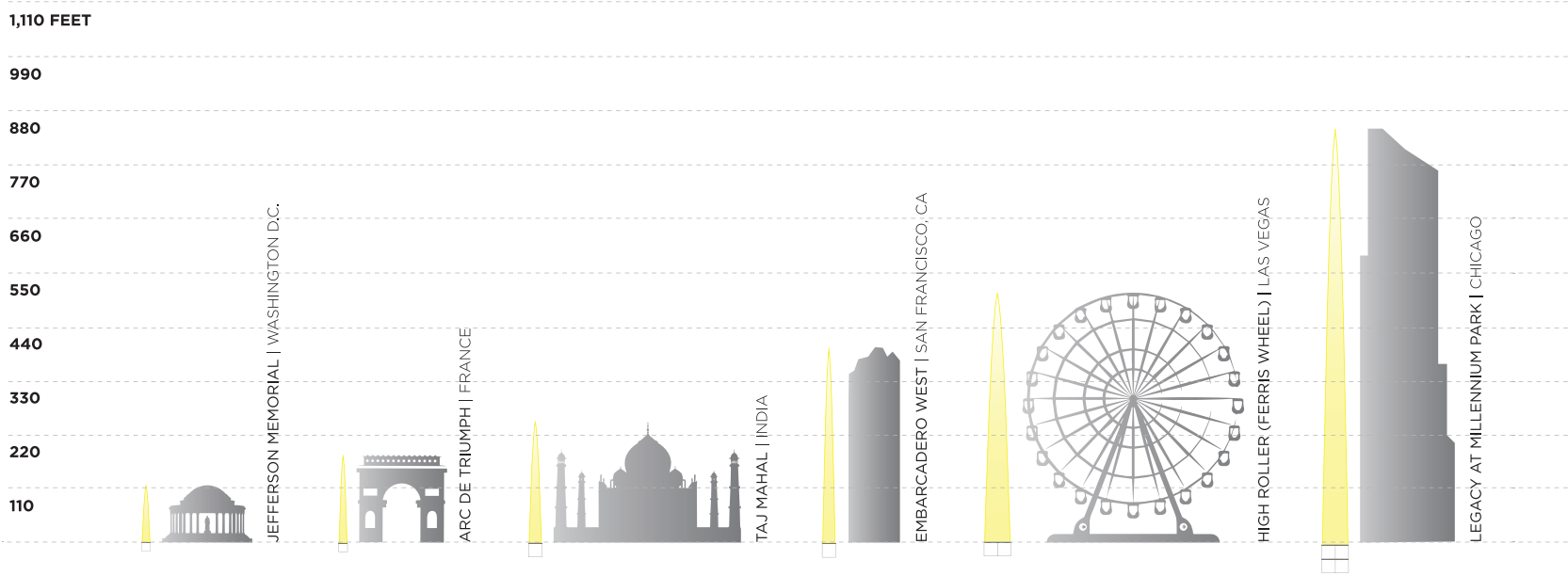


RISE™

INTRODUCING RISE. The smallest, most powerful directional lighting system of its kind. Loaded with patented new features, RISE delivers the most complete series of flood, landscape and accent lighting that was carefully designed to match TROV for consistent and uniform light across any project.

STRONGEST CBCP

SCALABLE POWER. RISE delivers two times more Center Beam Candle Power than the market average across a broad range of lumen packages.



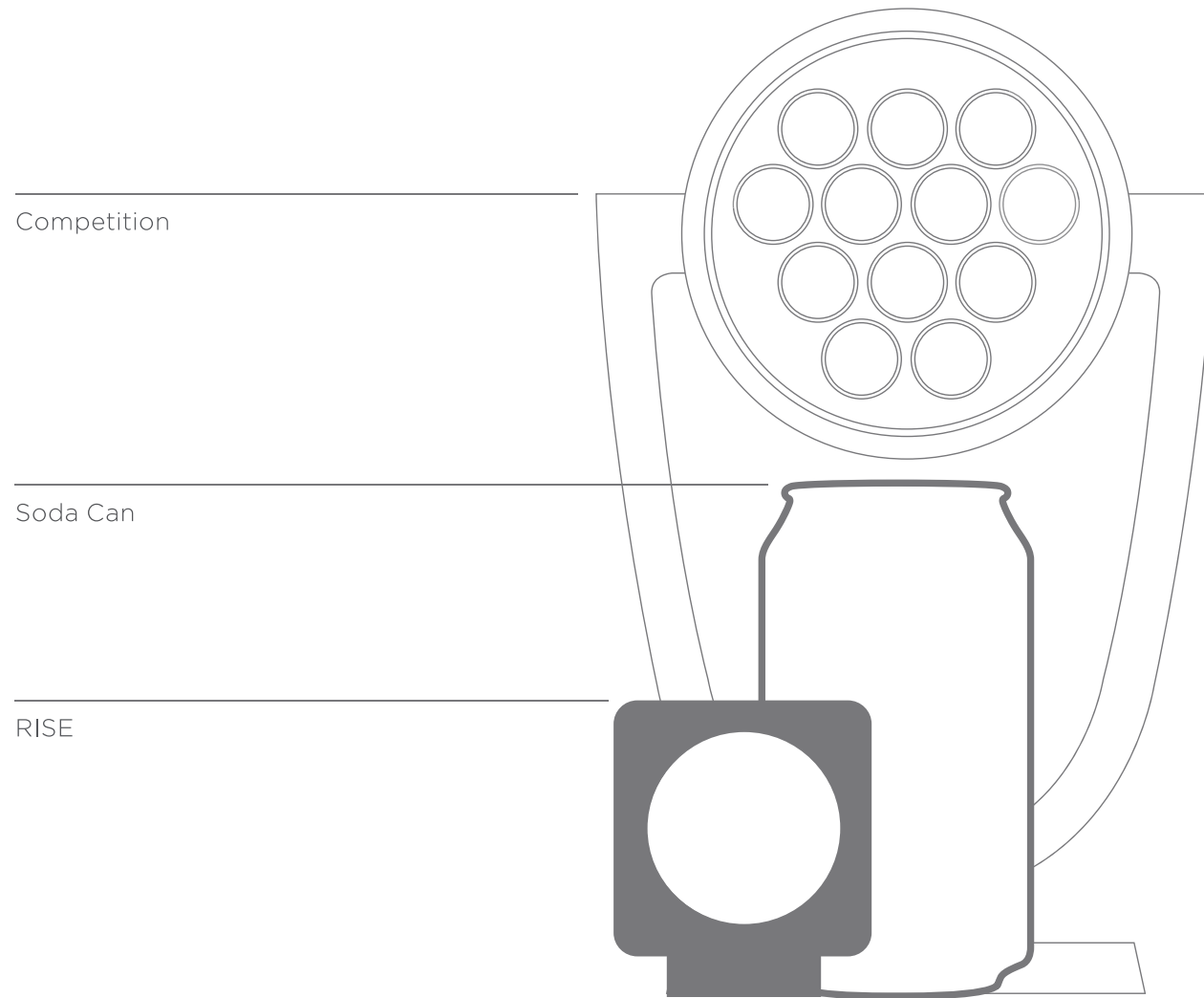
LUMENS	300 lms	700 lms	1200 lms	2800 lms	5600 lms	11,200 lms
CBCP	18,000 cd	42,000 cd	72,000 cd	168,000 cd	336,000 cd	672,000 cd
measured @ 5° 40K	1fc @ 110'	1fc @ 200'	1fc @ 440'	1fc @ 550'	1fc @ 770'	1fc @ 1,100'



RISE™

LASER SPOT

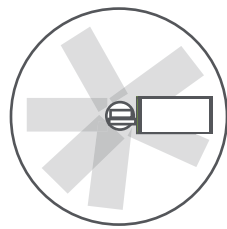
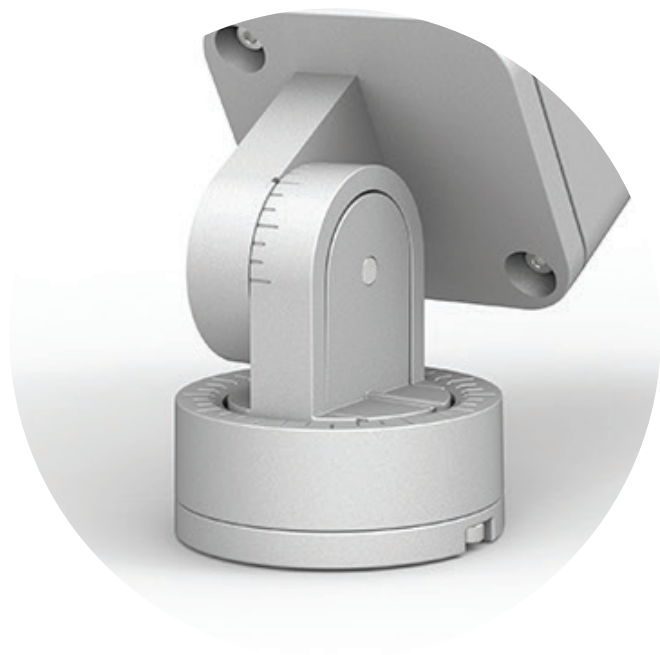
FOCUSED LIGHT. RISE has an efficient optical system delivering 12 different beam angles and the only 5° laser spot beam option on the market.



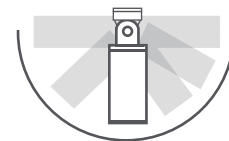
RISE™

POWERFULLY COMPACT

MIGHTY SMALL. Rise is the world's most compact floodlight delivering over 17,400 lumens of robust brilliance.



360° Pan

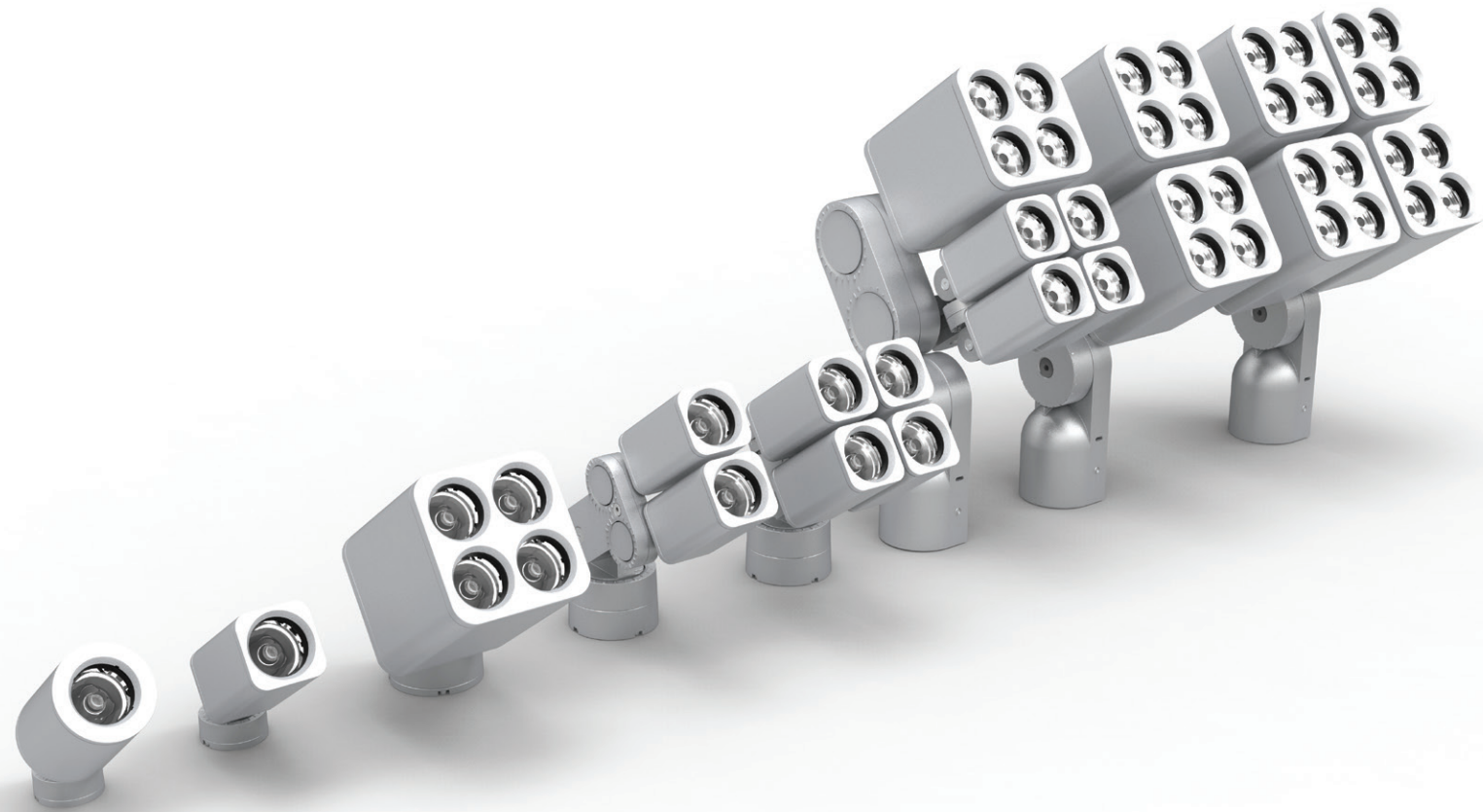


180° Tilt

RISE™

MACRO LOCK

ULTIMATE FLEXIBILITY. Patent-pending MACRO™ Lock feature allows simple one-tool adjustment for both 180° tilt and 360° pan.



RISE™

SCALABLE

DYNAMIC BRACKETRY. RISE is uniquely scalable from one single installation point, delivering lumen packages and fixture aiming for every need with over 500,000 product variations available.



RISE™

AHEAD OF THE CURVE

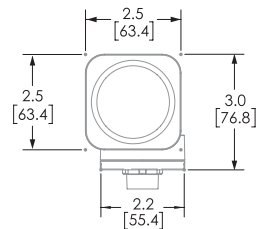
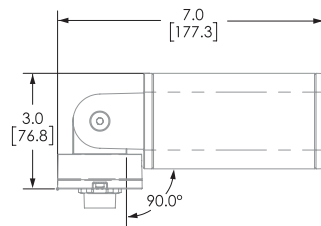
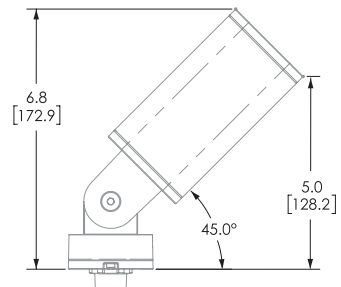
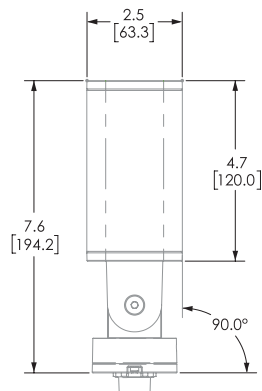
GREAT DESIGN ALL AROUND. There's even more versatility to RISE, with four standard finishes, RAL custom colors and a round form factor option.

RISE™

RISE | F080

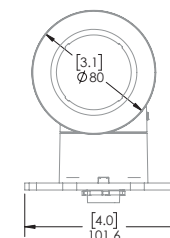
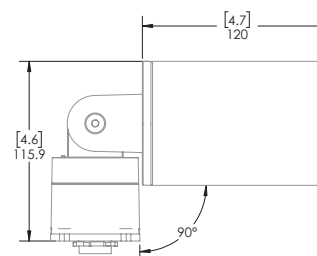
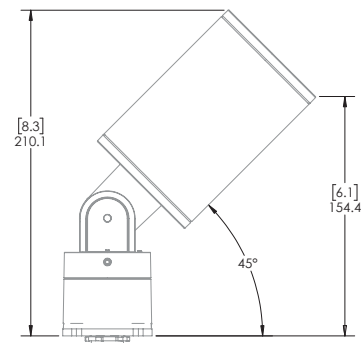
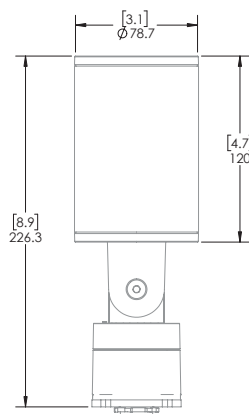
SMALL WONDER. Thoughtfully designed from the ground up, RISE F080 is an ultra-compact, exterior-rated LED luminaire. Delivering up to 1,140 lumens in a variety of beam angles, RISE F080 is ideal for spot, accent, landscape and floodlight applications.

- Dimmable using ELV dimmers
- Power on Board
- MACRO Lock™: 180° tilt and 360° aiming
- CCT: 2,200K, 2,500K, 2,700K, 3,000K, 3,500K, 4,000K, 5,000K, 6,500K
- CRI: 80+, 90+
- Field Interchangeable Lens
- Beam options: 5°, 10°, 15°, 20°, 40°, 60°, 70°, 90°, 15° X 60°, 60° X 15°, 30° X 60°, 60° X 30°
- Lumen packages: 429 lm, 761 lm, and 1,140 lm @4,000K @40°
- Efficacy: 99 lm/W @4,000K, 11.5W, 40°
- IP66, UL wet location
- ETL Certified, CE Mark
- Color Finish: Black, Bronze, Marine Grade, Silver, White, Custom

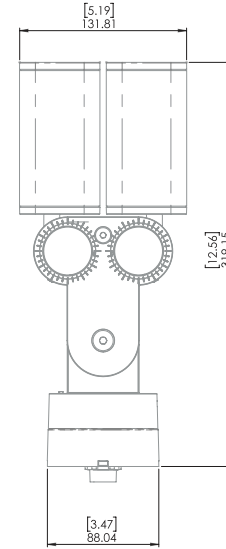
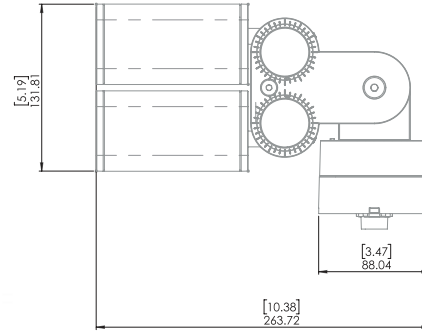
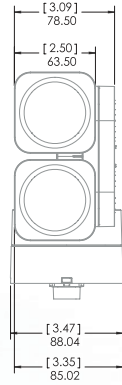


RISE™

RISE | F080 SINGLE ROUND



- Dimmable using ELV dimmers
- Power on Board
- MACRO Lock™: 180° tilt and 360° aiming
- CCT: 2,200K, 2,500K, 2,700K, 3,000K, 3,500K, 4,000K, 5,000K, 6,500K
- CRI: 80+, 90+
- Field Interchangeable Lens
- Beam options: 5°, 10°, 15°, 20°, 40°, 60°, 70°, 90°, 15° X 60°, 60° X 15°, 30° X 60°, 60° X 30°
- Lumen packages: 429 lm, 761 lm, and 1,140 lm @4,000K @40°
- Efficacy: 99 lm/W @4,000K, 11.5W, 40°
- IP66, UL wet location
- ETL Certified, CE Mark
- Color Finish: Black, Bronze, Marine Grade, Silver, White, Custom



RISE™

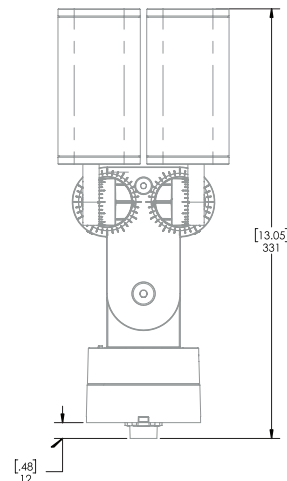
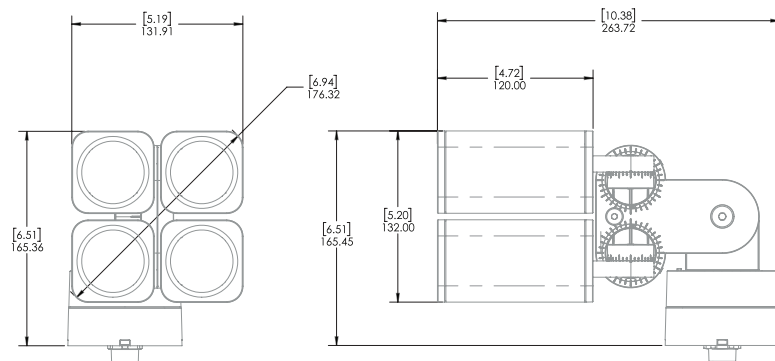
RISE | F080 DUO

DOUBLE THE LUMEN POWER. Rise F080 Duo pairs up two Rise F080 Single units using a single-point bracket. From one single installation point, lumen power can increase (up to 2,280 lumens) and/or aim each light fixture in different directions. Each fixture head can be specified with a unique beam angle and lumen output for application specific needs.

- Dimmable using ELV dimmers
- Power on Board
- MACRO Lock™: 180° tilt and 360° aiming
- CCT: 2,200K, 2,500K, 2,700K, 3,000K, 3,500K, 4,000K, 5,000K, 6,500K
- CRI: 80+, 90+
- Field Interchangeable Lens
- Beam options: 5°, 10°, 15°, 20°, 40°, 60°, 70°, 90°, 15° X 60°, 60° X 15°, 30° X 60°, 60° X 30°
- Lumen packages: 858 lm, 1,522 lm, and 2,280 lm @4,000K @40°
- Efficacy: 107 lm/W @4,000K, 23W, 40°
- IP66, UL wet location
- ETL Certified, CE Mark
- Color Finish : Black, Bronze, Marine Grade, Silver, White, Custom

RISE™

RISE | F080 QUAD

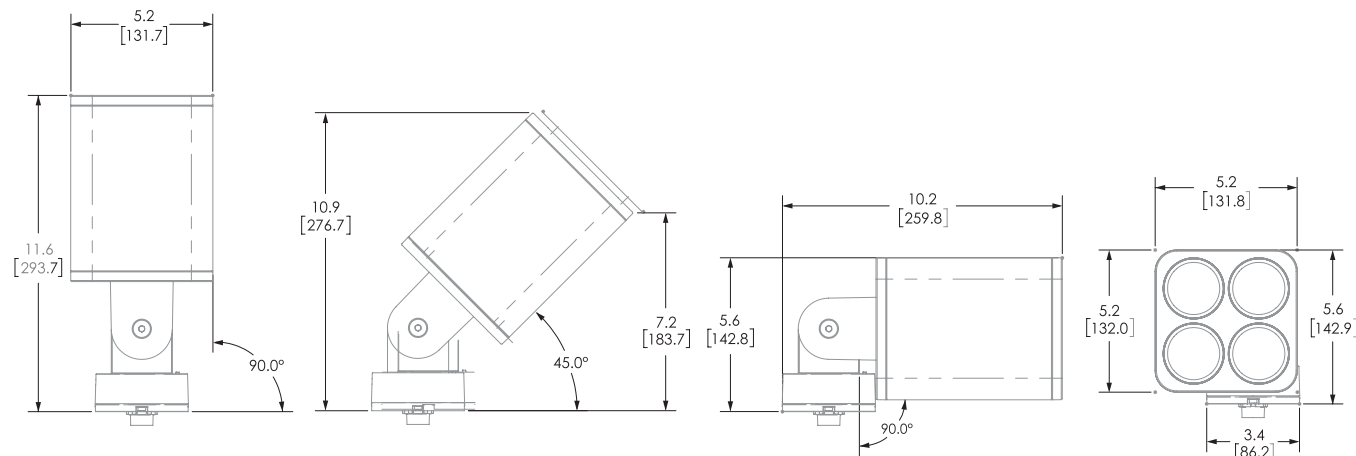


QUADRUPLE THE LUMEN POWER . Rise F080 Quad connects four Rise F080 Single units using a single-point bracket. From one single installation point, lumen power can increase (up to 4,560 lumens) and/or aim each light fixture in different directions. Each fixture head can be specified with a unique beam angle and lumen output for application specific needs.

- Dimmable using ELV dimmers
- Power on Board
- MACRO Lock™: 180° tilt and 360° aiming
- CCT: 2,200K, 2,500K, 2,700K, 3,000K, 3,500K, 4,000K, 5,000K, 6,500K
- CRI: 80+, 90+
- Field Interchangeable Lens
- Beam options: 5°, 10°, 15°, 20°, 40°, 60°, 70°, 90°, 15° X 60°, 60° X 15°, 30° X 60°, 60° X 30°
- Lumen packages: 1,716 lm, 3,044 lm, and 4,560 lm @4,000K @40°
- Efficacy: 99 lm/W @4,000K, 46W, 40°
- IP66, UL wet location
- ETL Certified, CE Mark
- Color Finish: Black, Bronze, Marine Grade, Silver, White, Custom

RISE™

RISE | F170

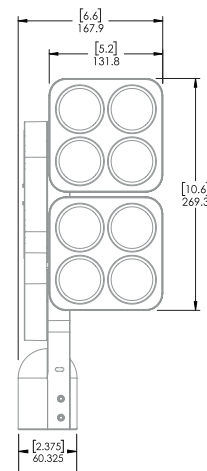
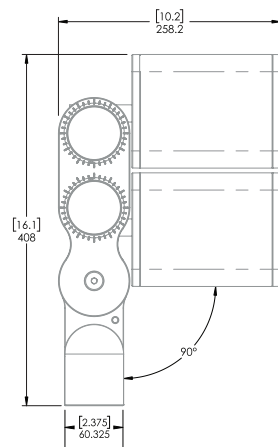
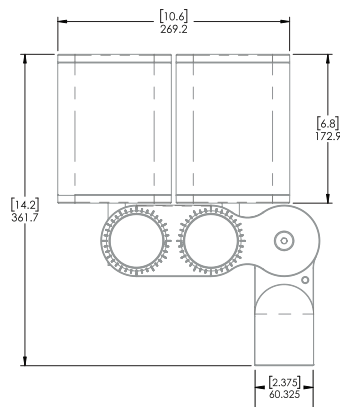


LOADED WITH OPTIONS. For more punch, RISE F170 is a powerful and compact exterior-rated LED luminaire, delivering up to 4,350 lumens. With the most extensive collection of beam angles, this luminaire can be used for spot, accent, landscape and floodlight applications.

- Dimmable using ELV dimmers
- Power on Board
- MACRO Lock™: 180° tilt and 360° aiming
- CCT: 2,200K, 2,500K, 2,700K, 3,000K, 3,500K, 4,000K, 5,000K, 6,500K
- CRI: 80+, 90+
- Field Interchangeable Lens
- Beam options: 5°, 10°, 15°, 20°, 40°, 60°, 70°, 90°, 15° X 60°, 60° X 15°, 30° X 60°, 60° X 30°
- Lumen packages: 1,633 lm, 2,955 lm, and 4,350 lm @4,000K @40°
- Efficacy: 114 lm/W @4,000K, 38W, 40°
- IP66, UL wet location
- ETL Certified, CE Mark
- Color Finish: Black, Bronze, Marine Grade, Silver, White, Custom

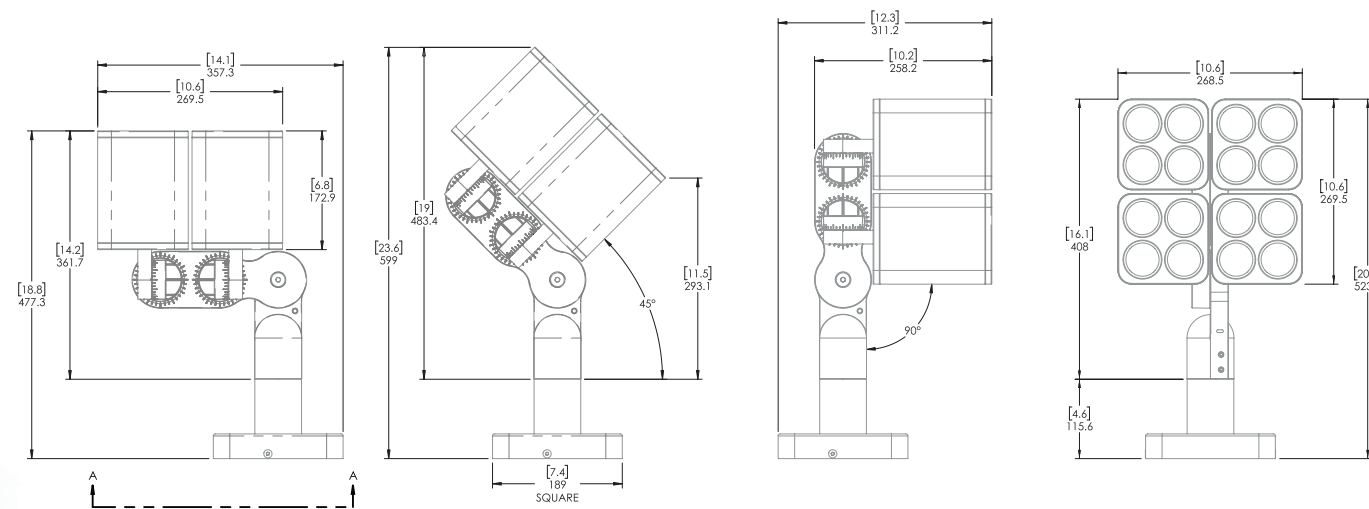
RISE™

RISE | F170 DUO



DOUBLE THE LUMEN POWER. Rise F170 Duo pairs up two Rise F170 Single units using a single-point bracket. From one single installation point, lumen power can increase (up to 8,700 lumens) and/or aim each light fixture in different directions. Each fixture head can be specified with a unique beam angle and lumen output for application specific needs.

- Dimmable using ELV dimmers
- Power on Board
- MACRO Lock™: 180° tilt and 360° aiming
- CCT: 2,200K, 2,500K, 2,700K, 3,000K, 3,500K, 4,000K, 5,000K, 6,500K
- CRI: 80+, 90+
- Field Interchangeable Lens
- Beam options: 5°, 10°, 15°, 20°, 40°, 60°, 70°, 90°, 15° X 60°, 60° X 15°, 30° X 60°, 60° X 30°
- Lumen packages: 3,266 lm, 5,910 lm, and 8,700 lm @4,000K @40°
- Efficacy: 112 lm/W @4,000K, 78W, 40°
- IP66, UL wet location
- ETL Certified, CE Mark
- Color Finish: Black, Bronze, Marine Grade, Silver, White, Custom

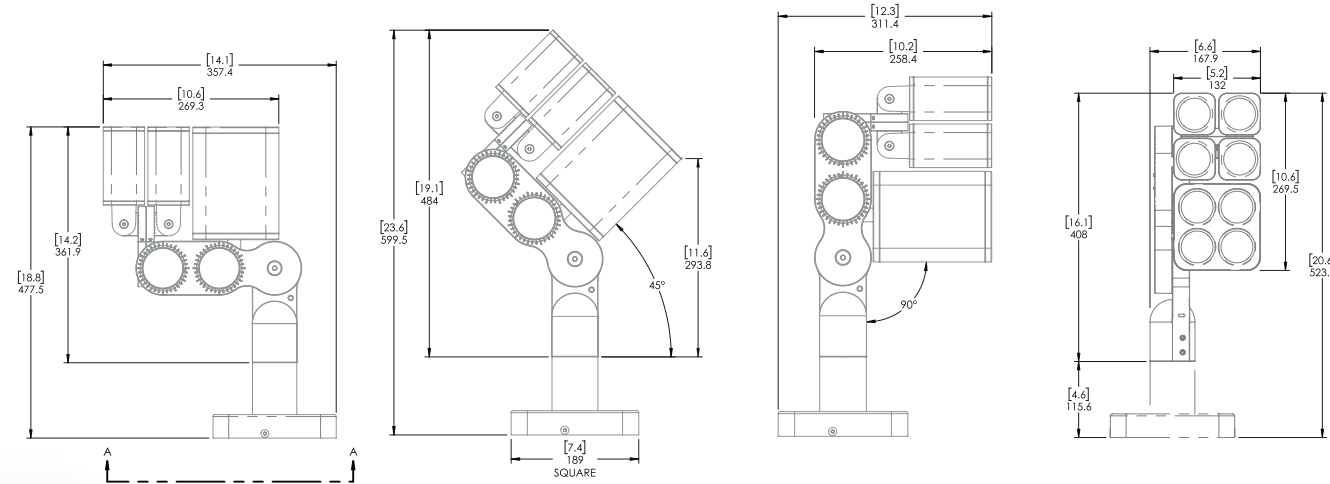


RISE™

RISE | F170 QUAD

QUADRUPLE THE LUMEN POWER. Rise F170 Quad connects four Rise F170 Single units using a single-point bracket. From one single installation point, lumen power can increase (up to 11,200 lumens) and/or aim each light fixture in different directions. Each fixture head can be specified with a unique beam angle and lumen output for application specific needs.

- Dimmable using ELV dimmers
- Power on Board
- MACRO Lock™: 180° tilt and 360° aiming
- CCT: 2,200K, 2,500K, 2,700K, 3,000K, 3,500K, 4,000K, 5,000K, 6,500K
- CRI: 80+, 90+
- Field Interchangeable Lens
- Beam options: 5°, 10°, 15°, 20°, 40°, 60°, 70°, 90°, 15° X 60°, 60° X 15°, 30° X 60°, 60° X 30°
- Lumen packages: 6,608 lm, 11,820 lm, and 17,400 lm @4,000K @40°
- Efficacy: 102 lm/W @4,000K, 13W, 5°
- IP66, UL wet location
- ETL Certified, CE Mark
- Color Finish: Black, Bronze, Marine Grade, Silver, White, Custom



RISE™

RISE | F380

UNIQUE CONFIGURATIONS. Rise F380 Combo is a unique configuration that groups four Rise F080 Single units and one Rise F170 Single unit – for a total of five light units, allowing Lighting Designers to illuminate the most challenging applications. Each fixture head can be specified with a unique beam angle and lumen output for application specific needs.

- Dimmable using ELV dimmers
- Power on Board
- MACRO Lock™: 180° tilt and 360° aiming
- CCT: 2,200K, 2,500K, 2,700K, 3,000K, 3,500K, 4,000K, 5,000K, 6,500K
- CRI: 80+, 90+
- Field Interchangeable Lens
- Beam options: 5°, 10°, 15°, 20°, 40°, 60°, 70°, 90°, 15° X 60°, 60° X 15°, 30° X 60°, 60° X 30°
- Lumen packages: 3,349 lm, 5,999 lm, and 3,349 lm @4,000K @40°
- Efficacy: 106 lm/W @4,000K, 84W, 40°
- IP66, UL wet location
- ETL Certified, CE Mark
- Color Finish: Black, Bronze, Marine Grade, Silver, White, Custom



Wall Mount Arm



Full Snoot



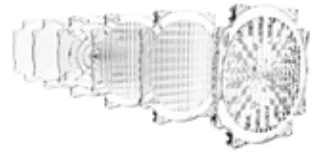
Half Snoot



Surface Mount Plate



Multi Up Surface Mount Plate



Field-Interchangeable Lenses



Half Snoot Round



Full Snoot Round



Canopy Cover



Honeycomb Louver



Slip Fitter



Single Gang Box Cover



Tree Mount



Perma Post



Ground Stake

RISE™

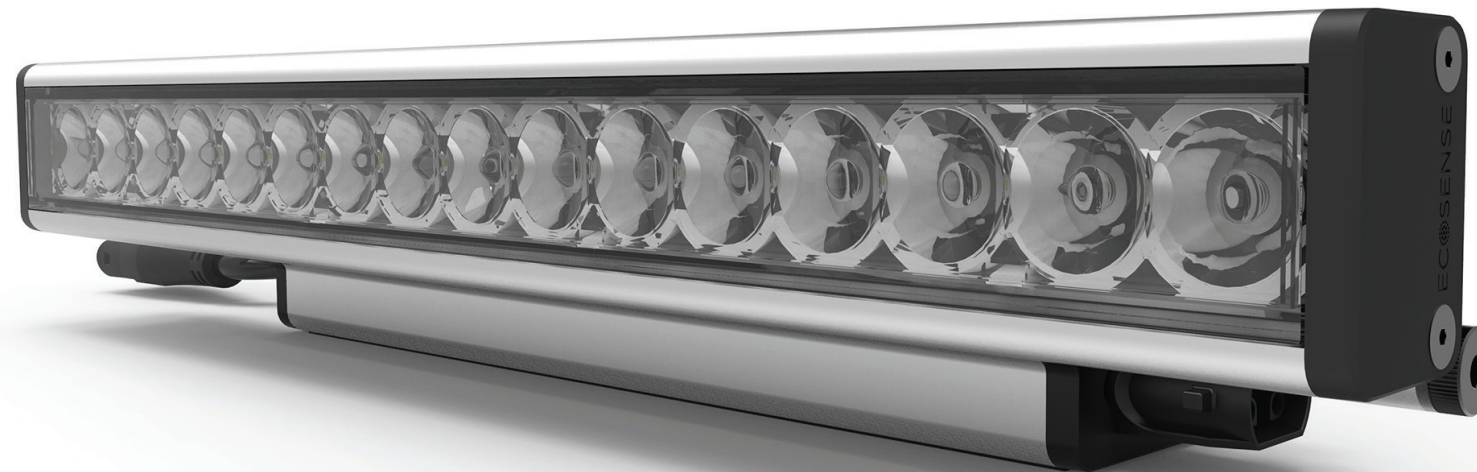
ACCESSORIES

CUSTOM FIT. RISE includes a line of custom-designed accessories to meet any design challenge. Use of specialized accessories creates unique applications and alternative mounting options.

Additional accessories available online at www.ecosenselighting.com

TROV®

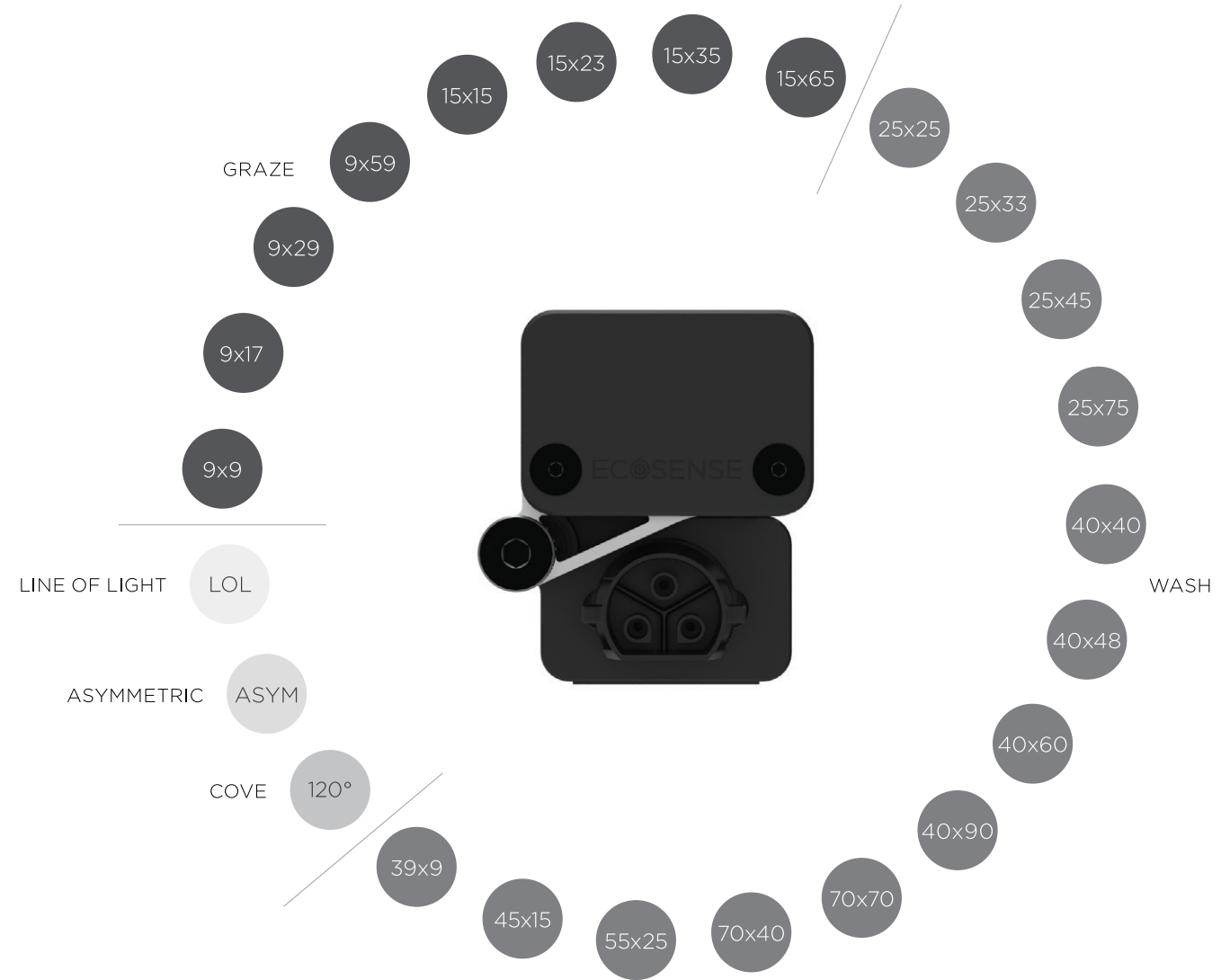
START CREATING. TROV is the only LED linear platform designed from the ground up. Layer by layer, we meticulously designed every detail down to the screws. Our labor and passion can be experienced in the thinnest, most advanced and configurable linear LED platform. A platform that is beautiful, adaptive and smart. A platform that enables over 24,000 product configurations.



TRÖV®

OPTICS

WE KNOW YOU LIKE OPTIONS. Our team of engineers meticulously designed an optical system with the most extensive beam angle assortment in the industry. Choose from a wide range of cove, graze, wall wash, line of light and a new, powerful asymmetric beam distribution.



TROV®

DIM TO ZERO

FLICKER FREE. TROV features the best dimming available for a line voltage LED linear. Dimming that puts you in ultimate control. Using a new hybrid digital power supply, TROV delivers beautiful light smoothly and without flicker all the way down to zero percent input power.



TROV®

FLIP TO FLAT™

BEND OVER BACKWARDS. Flip to Flat is our one-of-a-kind feature that easily allows 180° rotation while reducing the height to 24.7mm (.97"). This ultra low-profile luminaire delivers light with the utmost flexibility.



TROV®

ASYMMETRIC

A LEAGUE OF THEIR OWN. TROV Asymmetric not only delivers powerful and uniform light, but also is recognized as the smallest line voltage asymmetric luminaire on the market today. This uniquely compact profile allows for beautiful, consistent illumination without hot spots or shadows, perfect for illuminating ceilings.



TROV®

COVE

CREATE DRAMA. TROV is an ideal way to create dramatic entry ways, accent unique architectural details or illuminate the edge of a ceiling or wall. Leading the industry in lumen packages, color temperatures and high-CRI options, TROV offers customers the most flexibility and versatility in cove lighting.



1144 FIFTEENTH STREET — Denver, CO
LIGHTING DESIGN | Lighting Design Alliance
LIGHTING REP | The Lighting Agency

TROV®

WASH + GRAZE

PERMISSION TO BE BOLD. With the largest selection of beam angles available, TROV is the only solution for grazing or washing surfaces with light. When grazing, use a closely-positioned narrow beam angle to vividly illuminate a surface adding deep contrast to any texture. To wash a surface or structure with light, use a wide beam angle to eliminate shadows and focus the light intensely where it belongs.



SCIENCE MUSEUM — London, England, UK
LIGHTING DESIGN | dha Design
LIGHTING REP | Architainment

TROV®

LINE OF LIGHT

TOP OF THE LINE. TROV Line of Light delivers a beam of light that is ideal for creating eye-catching designs. This luminaire is also the best solution for hiding unsightly LED pixelation, especially when illuminating near reflective surfaces.

LONG BEACH COURTHOUSE — Long Beach, CA
LIGHTING DESIGN: Horton Lees
Brogden Lighting Design
LIGHTING REP: Performance Lighting Systems

TRÖV[®]

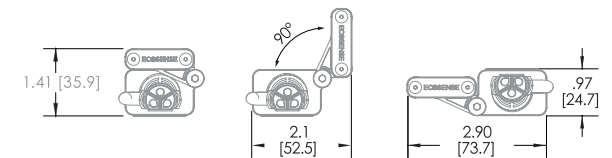
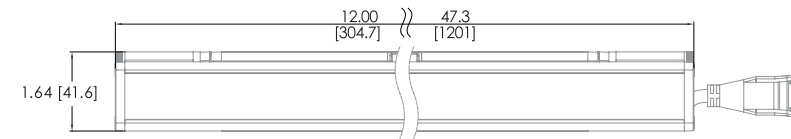
INTERIOR | L35

LOW PROFILE. An ultra-slim profile luminaire optimized for coves and indirect accent lighting applications. This luminaire features the exclusive Flip to Flat™ hinge, allowing vertical aiming from 0-180° with the thinnest and most compact profile available, measuring only 35mm (1.4") high.

- 120° beam spread
- Flicker-free dimming
- 2-step MacAdam ellipse
- Wattage and lumen package options from 2W to 12W per LF
- Efficacy up to 92Lm/W
- CCT: 2,200K, 2,500K,* 2,700K, 3,000K, 3,500K, 4,000K, 5,000K
- Mono Colors • CRI options: 80+, 90+
- 110V-277 Multi-Volt
- IP54, UL damp location
- ETL Certified, CE Mark



*2500K not available on 10W or 12W

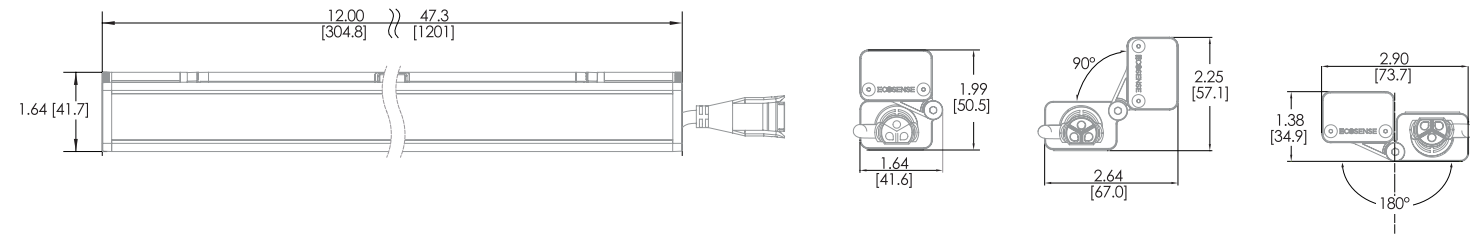
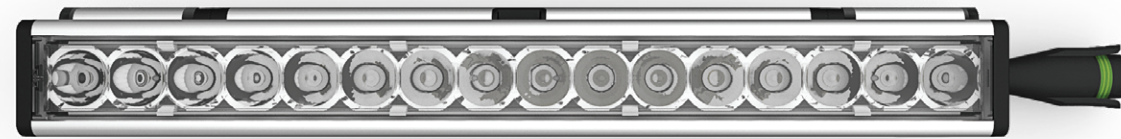


TROV[®]

INTERIOR + EXTERIOR | L50

VERSATILITY AT ITS BEST. Measuring in at only 50mm high, TROV L50 is the most adaptive fixture for any application requiring controlled optics. TROV not only brings you the smallest linear wall grazer and wall wash on the market today but it also delivers an asymmetric beam so uniform and powerful that it competes with fixtures three times its size.

- Flicker-free dimming
- 2-step MacAdam ellipse
- Wattage and lumen pack age options from 2W to 12W per LF
- Efficacy up to 95Lm/W • CCT: 2,200K, 2,700K, 3,000K, 3,500K, 4,000K, 5,000K
- 24 beam angle options—Cove, Graze, Wash, Line of Light, Asymmetric
- CRI options: 80+, 90+
- 110V-277 multi-volt
- Flip to Flat™ design
- Exterior: IP66, UL wet location
- Interior: IP54, UL damp location
- ETL Certified, CE Mark



TROV®

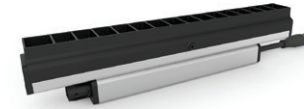
ACCESSORIES (INTERIOR + EXTERIOR)

DESIGNED TO WORK TOGETHER. TROV platform includes a line of custom-designed accessories to meet any design challenge. From exclusive louvers and adjustable brackets to specialized lenses and mounting arms, TROV accessories enable limitless applications.

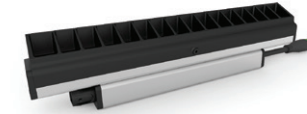
Additional accessories available online at www.ecosenselighting.com



Angle Lock



Symmetrical Louver



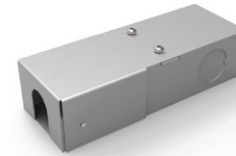
Asymmetric Louver



Honeycomb Louver



Clear and Frosted Lens



Wire Box



Mounting Track



Fine-tune Adjustable Bracket



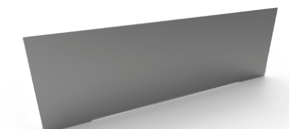
Landscape Stake



Wall Arm



90° Bracket

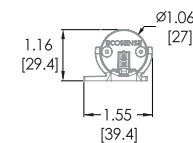
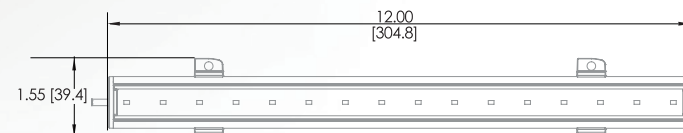
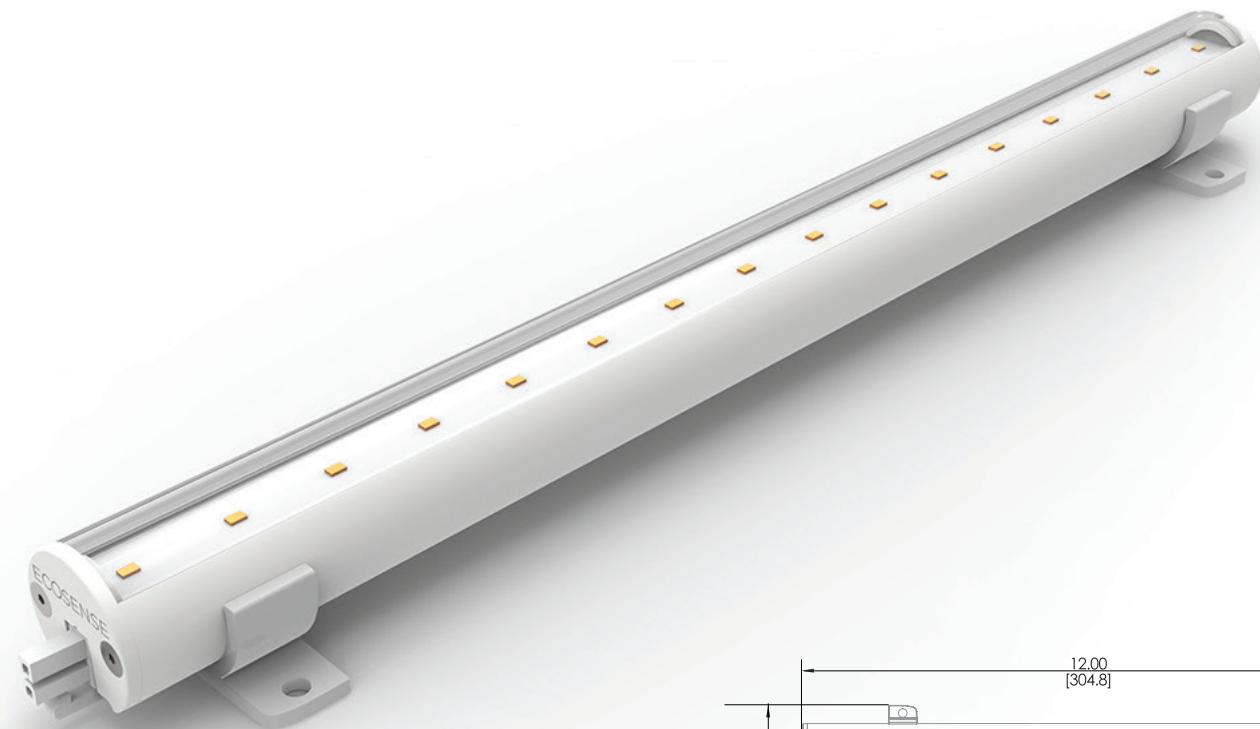


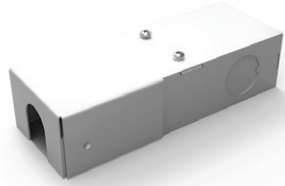
Masking Plate

SLIM COVE DIM™

POWERFULLY SMALL. Slim Cove Dim is the smallest, line-voltage, 800 lumen/foot, luminaire on the market, single binning delivers superior color quality and color consistency between all Ecosense products.

- Dim to 10%, ELV reverse phase
- Ultra low profile
- Up to 123 lm/W
- Multi-volt 120-277VAC
- Single bin color matches Trov®
- 4 CCT options
- 80+ and 90+ CRI
- 4W up to 490lm/ft, 8W up to 820lm/ft





Wire Box

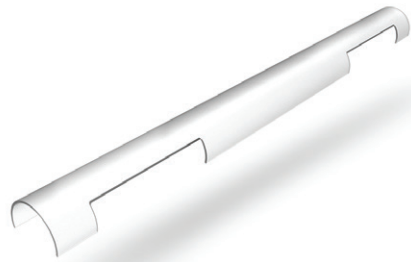


Cable

SLIM COVE DIM™

ACCESSORIES (INTERIOR | SLIM COVE)

TAILORED TO FIT. Slim Cove Dim includes a line of custom-designed accessories to meet any design challenge. Specialized accessories create unique applications and alternative mounting options.



Switched Junction Box



Rocker Switch

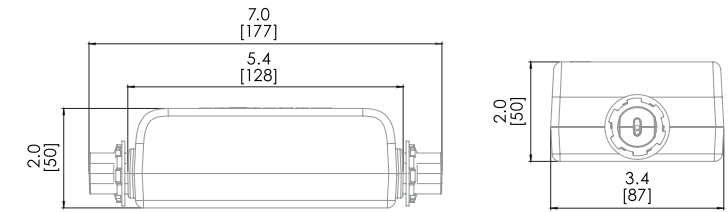


Knife Edge Cover

CONTROL MODULE

LDCM (0-10V ELV)

SMOOTH CONTROL. EcoSpec Linear Dimming Control Module is the only module in the LED luminaire industry to convert a 0-10V signal to an ELV dimmable signal, allowing ELV fixtures to be used flawlessly in any 0-10V application. Compatible with all EcoSpec and TROV products.

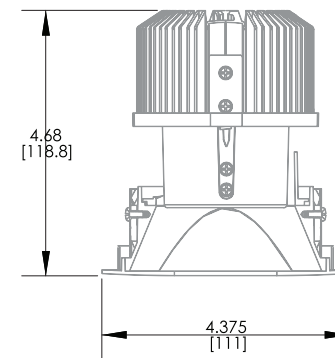




ERIA ROUND

1200 LUMEN 3.5" LED DOWNLIGHT

PRECISION WITH FLEXIBILITY. ERIA is a customer inspired small-aperture recessed downlight that meets the needs of lighting designers, contractors and building owners. The ERIA downlight features proprietary precision optics, anti-glare shielding and high quality paint finishes. Additionally, the modular design reduces lead times by allowing ERIA housings to be shipped separately from the LED module and trim.



- Quick and easy tool-less assembly
- Modular Optics: 15°, 20°, 25°, 35°, 45°
- CBCP With 15° Optic: 10,000 CBCP @3,000K
- Aiming: Adjustable from below the ceiling for easy aiming
- Compatible with ELV and 0-10V
- CCT: 2,700K, 3,000K, 3,500K, 4,000K
- CRI Options: 80+, 90+
- Field Replaceable LED Light Engine

Additional accessories available online at www.ecosenselighting.com

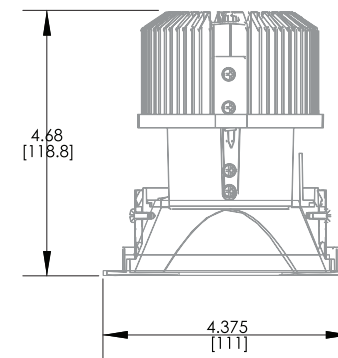
ERIA SQUARE

1200 LUMEN 3.5" LED DOWNLIGHT

PRECISION WITH FLEXIBILITY. ERIA is a customer inspired small-aperture recessed downlight that meets the needs of lighting designers, contractors and building owners. The ERIA downlight features proprietary precision optics, anti-glare shielding and high quality paint finishes. Additionally, the modular design reduces lead times by allowing ERIA housings to be shipped separately from the LED module and trim.

- Quick and easy tool-less assembly
- Modular Optics: 15°, 20°, 25°, 35°, 45°
- CBCP With 15° Optic: 10,000 CBCP @3000K
- Aiming: Adjustable from below the ceiling for easy aiming
- Compatible with ELV and 0-10V
- CCT: 2,700K, 3,000K, 3,500K, 4,000K
- CRI Options: 80+, 90+
- Field Replaceable LED Light Engine

Additional accessories available online at www.ecosenselighting.com



PRODUCT SPECIFICATIONS

	MODEL NUMBER	RATING	SIZE	TYPICAL WATTAGE/ LUMENS@4000K per LF	EFFICACY @4000K	CCT/Monocolor	CRI	VOLTAGE	BEAM ANGLE					DIMMING	HOUSING/ FINISH	PAGE NUMBER
RISE	F080	Exterior	80mm Diameter	4W / 309lms 7.5W / 531lms 11.5W / 745lms	77lm/w 71lm/w 651lm/w	2200K, 2500K, 2700K, 3000K 3500K, 4000K, 5000K, 6500K Red, Green, Blue, Amber	80+, 90+	MultiVolt (110-277)	Spot+Accent 5° 10° 15° 20°	Flood 40° 60° 70° 90°	Elliptical 15° x 60° 60° x 15° 30° x 60° 60° x 30°	ELV; Compatible with 0-10V using LDCM	Die Cast Aluminum : White, Black, Bronze, Silver	11		
	F170	Exterior	170mm Diameter	13W / 1321lms 25W / 2239lms 38W / 2907lms	1021lm/w 90lm/w 77lm/w	2200K, 2500K, 2700K, 3000K 3500K, 4000K, 5000K, 6500K Red, Green, Blue, Amber	80+, 90+	MultiVolt (110-277)	Spot+Accent 5° 10° 15° 20°	Flood 40° 60° 70° 90°	Elliptical 15° x 60° 60° x 15° 30° x 60° 60° x 30°	ELV; Compatible with 0-10V using LDCM	Die Cast Aluminum : White, Black, Bronze, Silver	15		
TROV	L35	Interior	12" 48"	2W / 127lms 4W / 327lms 6W / 511lms 8W / 655lms 10W / 919lms 12W / 1026lms	92lm/w	2200K, 2500K, 2700K, 3000K 3500K, 4000K, 5000K Red, Green, Blue, Amber <small>*2500K is not available in 10W and 12W</small>	80+, 90+*	MultiVolt (110-277)	Cove 120°					ELV; Compatible with 0-10V using LDCM	Anodized Aluminum: Silver	28
	L50	Interior & Exterior	12" 48"	2W / 123lms 4W / 353lms 6W / 550lms 8W / 758lms 10W / 900lms 12W / 1045lms <small>*Data from 70° x 70° Measurements</small>	95lm/w	2200K, 2700K, 3000K 3500K, 4000K, 5000K Red, Green, Blue, Amber	80+, 90+*	MultiVolt (110-277)	Cove 120°	Graze 9° x 9° 9° x 17° 9° x 29° 9° x 59° 15° x 15° 15° x 23° 15° x 35°	Wash 25° x 25° 25° x 33° 25° x 45° 25° x 75° 40° x 40° 40° x 48° 40° x 60° 40° x 90° 70° x 70°	Elliptical 39° x 9° 45° x 15° 55° x 25° 70° x 40°	Asymmetric ASYM	LOL	ELV; Compatible with 0-10V using LDCM	Anodized Aluminum: Silver
SLIM COVE DIM	SCD	Interior	12" 48"	4W / 490lm/ft 8W / 820lm/ft	123lm/w 103lm/w	2700K, 3000K 3500K, 4000K	80+, 90+	MultiVolt (120-277)	120° x 120°					ELV; Compatible with 0-10V using LDCM	Polycarbonate: White	31
ERIA	JMA	Interior	3.5" Diameter	18.5W / 1237lms	66lm/w	2700K, 3000K 3500K, 4000K	80+, 90+	120V, 277V	15°, 20°, 25°, 35°, 45°					0-10V, ELV	Aluminum: White, Black	34